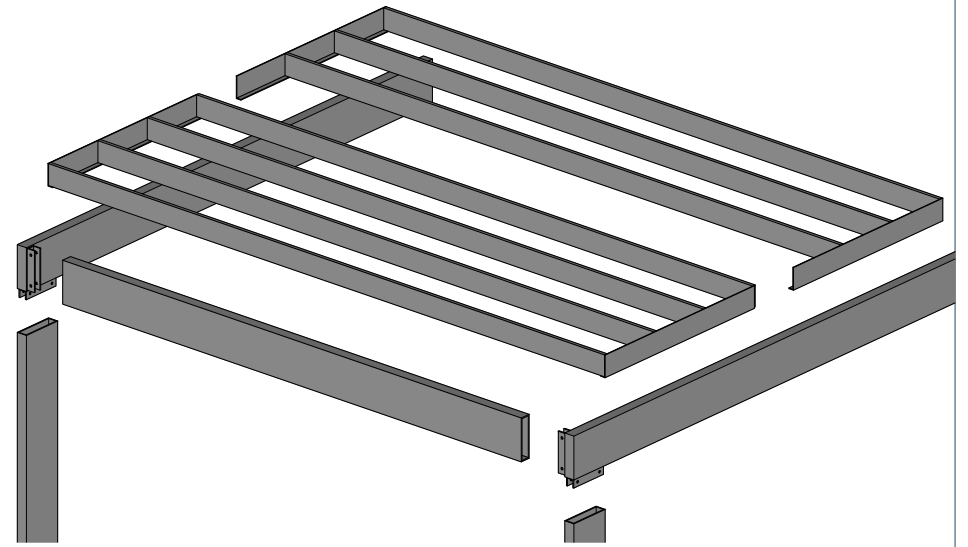
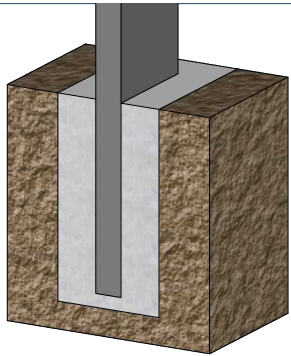


SINGLE COMPONENT

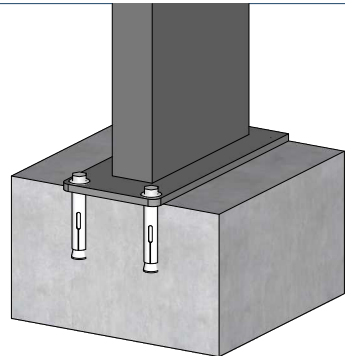


MODULAR



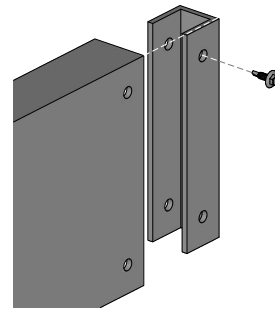
Concrete Footing

Ground

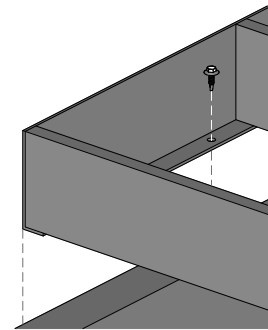


Base Plate - Dynabolt

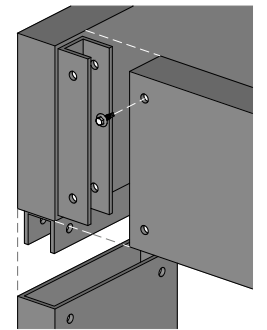
SITE FIXING



Wall



Cladding



Frame

PRODUCT FIXING



General Specs

Title

MP - Metal Pergola

Material

Steel - Pre-galvanised
Mild Steel
Aluminium

Product Type

SC - Single Component
MOD - Modular

Treatment

Dip-galvanising
Zinc Plate
Powdercoat

Customisable

Yes

Customisation

Frame Profile
Slat Profile
Slat Spacing
Dimensions